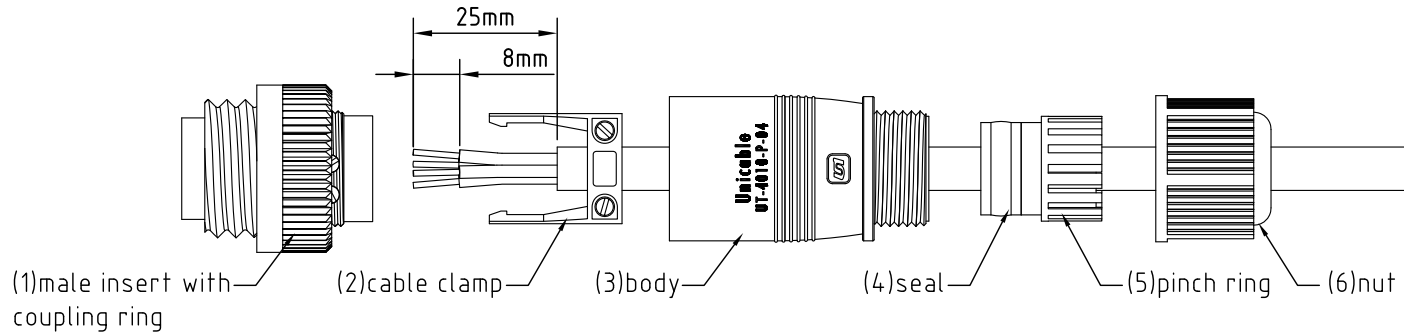
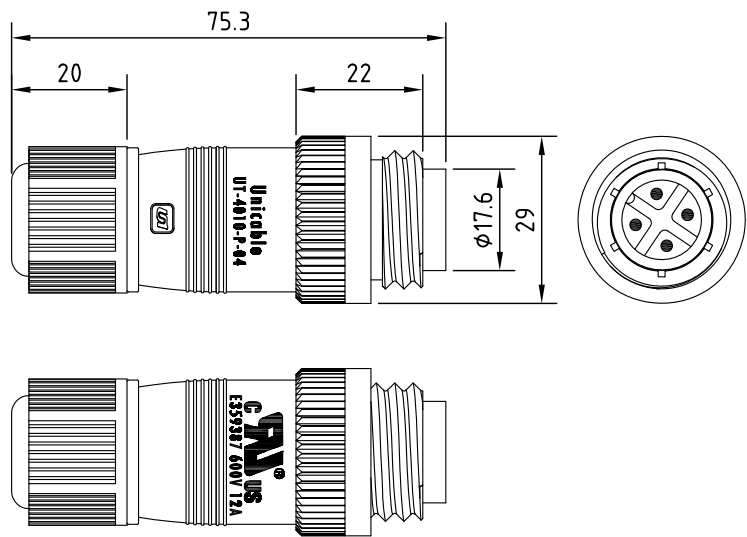


Part No.: UT-4010-P-04-X

seal
 1-cable OD:7.1-9mm
 2-cable OD:4-7mm
 3-cable OD:9.1-10.5mm



REV.	Description	Date
1	upgrade drawing	2014/2/27



RoHS

Specification

General Characteristics
 Locking system: Screw
 Termination: Screw
 Shell protection: IP67
 Wire gauge: 18-14

Electrical Characteristics
 Rated Voltage: 600V
 Rated Current: 12A
 Contact Resistance: <10mΩ
 Insulation Resistance: >10MΩ
 UL1977

7	terminal	gold plated brass	4
6	nut	PA (UL 94V-0)	1
5	pinch ring	PA (UL 94V-0)	1
4	seal	TPR	1
3	body	PA (UL 94V-0)	1
2	cable clamp	PA (UL 94V-0)/SUS	1
1	male insert	PA (UL 94V-0)	1
Item	Description	Material	Q'TY



Unicable Co., Ltd. 國陽電業有限公司
 5F., No. 111-33, Sec. 4, San Ho Road, San Chung City, Taiwan, R.O.C.
<http://www.unicable.com.tw> TEL:+886-2-2286-2122 FAX:+886-2-2286-1010

DATE	2016/10/7	PART NO.	UT-4010-P-04
DWN	GINA	REV.	1
CHK			
UNIT	MM		

ITEM	In-Field Installable Circular Connector
------	---